

WE  
PLAN,  
DESIGN,  
MANUFACTURE  
AND INSTALL

**MECHANICAL GARAGE**





## MUTRADE PROFILE

MUTRADE INDUSTRIAL CORP. is one of the earliest professional mechanical parking solution providers in CHINA. We are committed to provide the most suitable and cost effective parking solutions to our customers all over the world.

Hydro-Park is a subsidiary company and sub-brand built by Mutrade for high-end mechanical parking equipment. We develop, design and manufacture mechanical parking equipment with our own advanced technology and kept consistent high quality.

Our target is to become world class manufacturer with following competitive advantages:

Advanced Technology

Precise Manufacture Processing

Strong Service Support

Customer Oriented

For all the people who work in the mechanical parking business, if you are looking for a reliable partner in CHINA, Mutrade is the one company you can not miss!



Hydro-park 1132



Hydro-park 1127



Hydro-park 1123



Hydro-park 2130



Hydro-park 2236



Hydro-park 3130/3230



Hydro-park 4127



Hydro-park 7125



TPTP-2



BDP



ATP



PFPP



FP-VRC



S-VRC



CTT



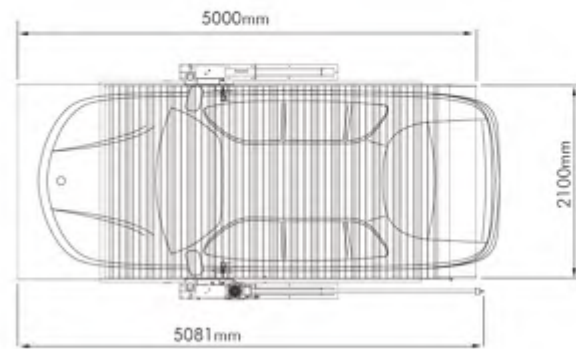
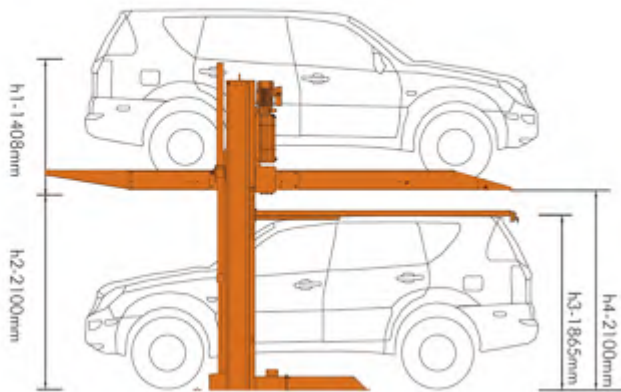
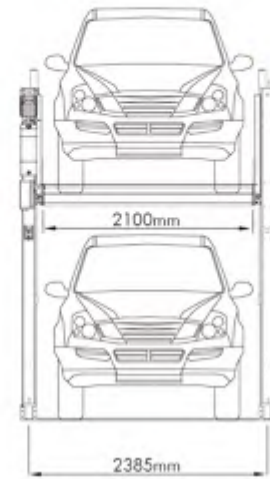
## Two Post Parking Lift Hydro-Park 1132



- 3200kg capacity for different demands
- Middle post sharing feature saves cost and space
- Dynamic mechanical locks as “all the way” anti-falling device hold the platform in place
- Galvanized platform guarantees safety and long lifetime
- Anti-slip corrugated deck protects both vehicle and driver from possible slip and damage but still high-heel shoe friendly
- Dual hydraulic lifting cylinders direct drive
- The pole with piston is chroming to anti-corrode to ensure its long using life
- Individual hydraulic power pack and control panel
- Symmetrical designed column
- Special designed control arm for operator to control the lift without getting under the platform
- Synchronization chain assures the lifting platform balance
- Electric key switch for security and safety
- A unique “LOCK DOWN” button for platform sitting on locking tab to protect cylinder
- Automatic shut-off once operator releases the key switch
- Manual lock release available in case electricity failure
- Platform can be stopped at different heights to fit for various vehicles and ceiling heights
- Hydraulic overloading protection

■ MUTRADE INDUSTRIAL CORP.

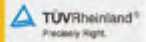
Lifting capacity	3200kg / 7000lbs
Lifting height	2100mm / 83 inches
Usable platform width	2100mm / 83 inches
Power Unit	3Kw hydraulic pump
Available voltage of power supply	100V-450V, 1 or 3 Phase, 50/60Hz
Operation mode	Key switch
Operation voltage	24V
Safety lock	Dynamic anti-falling lock
Lock release	Electric auto release
Rising/descending speed	<40s
Finishing	Powder coating





## Two Post Parking Lift Hydro-Park 1127

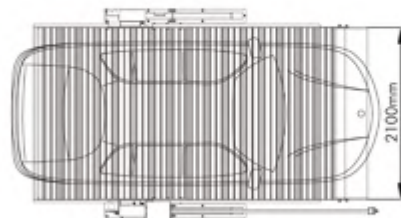
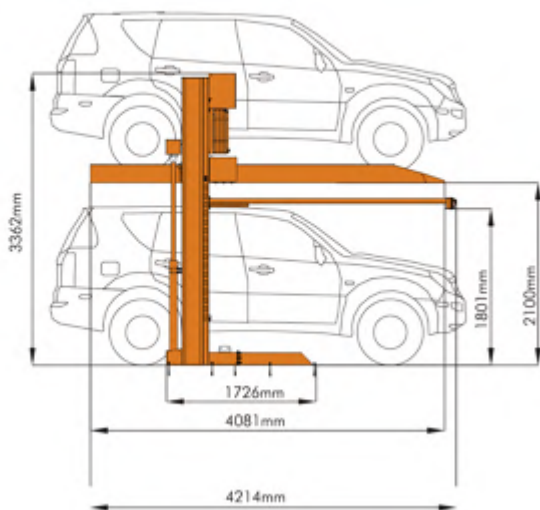
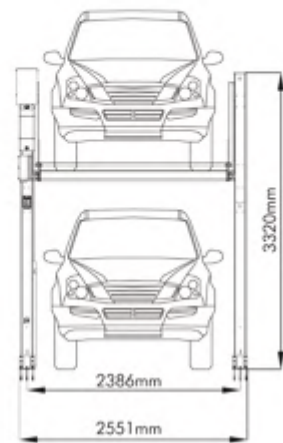
Certified by



- 2700kg capacity for most types of vehicles
- Symmetrical designed column
- Middle post sharing feature saves cost and space
- Galvanized platform guarantees safety and long lifetime
- Anti-slip corrugated deck protects both vehicle and driver from possible slip and damage but still high-heel shoe friendly
- Single hydraulic lifting cylinder with chain as driven system makes movement faster and more smooth
- Individual hydraulic power pack and 24V safety control panel
- Synchronization chain assures the lifting platform balance
- Electric key switch for security and safety

- Unique "LOCK DOWN" button for platform sitting on locking tab to protect cylinder
- Automatic shut-off once operator releases the key switch
- Dynamic mechanical locks as anti-falling device hold the platform in place all the way
- Manual lock release available in case electricity failure
- Platform can be stopped at different heights to fit for various vehicles and ceiling heights
- Photocell sensor detection could stop operation if any vehicle under platform
- Hydraulic overloading protection

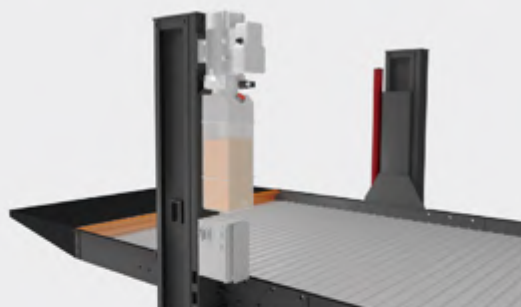
Lifting capacity	2700kg / 6000lbs
Lifting height	2100mm / 83 inches
Usable platform width	2100mm / 83 inches
Power Unit	3Kw hydraulic pump
Available voltage of power supply	100V-450V, 1 or 3 Phase, 50/60Hz
Operation mode	Key switch
Operation voltage	24V
Safety lock	Dynamic anti-falling lock
Lock release	Electric auto release
Rising/descending speed	<40s
Finishing	Powder coating



Key switch for easy operation with emergency stop button and lock down button



Advanced sharing post feature saves land space and cost



Individual power pack and control system for each unit makes operation more convenient



Advanced mechanical anti-falling lock device



## Two Post Parking Lift Hydro-Park 1123

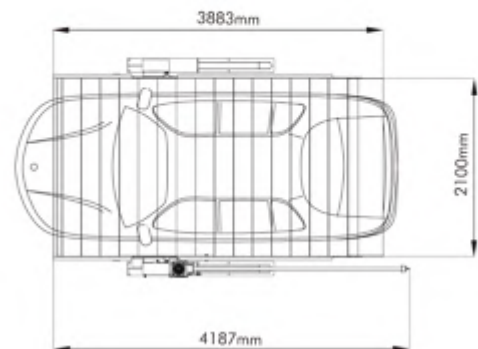
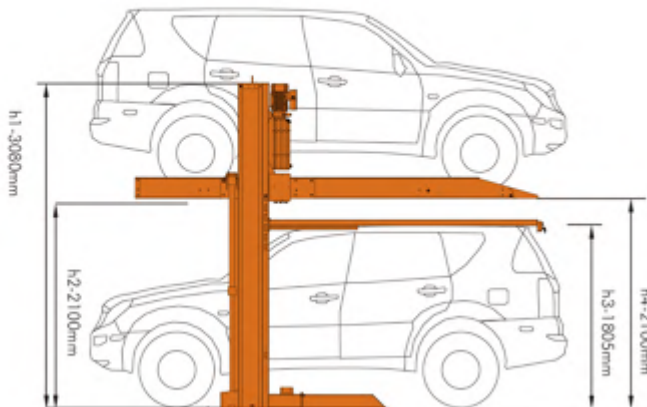


- 2300kg capacity for most types of vehicles
- Symmetrical designed column
- Middle post sharing feature saves cost and space
- Galvanized platform guarantee safety and long lifetime
- Anti-slip corrugated deck protects both vehicle and driver from possible slip and damage but still high-heel shoe friendly
- Single hydraulic lifting cylinder with chain as driven system makes movement faster and more smooth
- Individual hydraulic power pack and 24V safety control panel
- Synchronization chain assuring the lifting platform balance
- Electric key switch for security and safety
- Unique “LOCK DOWN” button for platform sitting on locking tab to protect cylinder
- Automatic shut-off once operator releases the key switch
- Dynamic mechanical locks as anti-falling device hold the platform in place all the way
- Manual lock release available in case electricity failure
- Platform can be stopped at different heights to fit for various vehicles and ceiling heights
- Photocell sensor detection could stop operation if any vehicle under platform
- Hydraulic overloading protection

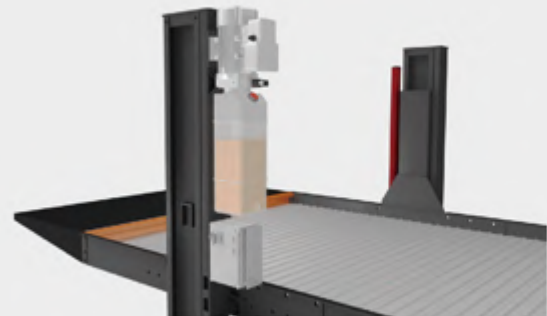


**MUTRADE INDUSTRIAL CORP.**

Lifting capacity	2300kg/5000lbs
Lifting height	2100mm/83inches
Usable platform width	2100mm/83inches
Power Unit	2.2Kw hydraulic pump
Available voltage of power supply	100V-450V, 1 or 3 Phase, 50/60Hz
Operation mode	Key switch
Operation voltage	24V
Safety lock	Dynamic anti-falling lock
Lock release	Electric auto release
Rising/descending speed	<40s
Finishing	Powder coating



Lifting height can be adjusted to fit for basement with low ceiling height



Individual power pack and control system for each unit makes operation more convenient



Top cover plate for post ensures extra safety



Unique design of posts and carriages makes back in available all the time



## Hydro-Park 1227

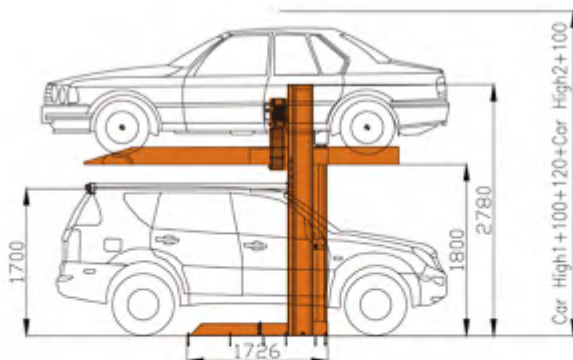
American Version, manual control

Model	Hydro-Park 1227
Lifting capacity	2700kg / 6000lbs
Equipment weight	1000kg / 2200lbs
Lifting height	2100mm / 83 inches
Usable platform width	2100mm / 83 inches
Electrical required	220-420V, 1 or 3Phase, 50/60Hz *Price maybe different!
Lock device	Dynamic anti-fall lock
Lock release	Manual
Operation	Button
Power pack	3 kw hydraulic power pump
Lifting/lowing time	30 Sec.
Finishing	Powder coating



## Hydro-Park 1220

American Version, manual control



Model	Hydro-Park 1220
Lifting capacity	2000kg / 4400lbs
Equipment weight	1000kg / 2200lbs
Lifting height	1800mm / 71 inches
Usable platform width	2100mm / 83 inches
Electrical required	220-420V, 1 or 3Phase, 50/60Hz *Price maybe different!
Lock device	Dynamic anti-fall lock above 1200mm
Lock release	Manual
Operation	Button
Power pack	2.2 kw hydraulic power pump
Lifting/lowing time	30 Sec.
Finishing	Powder coating

## Free standing add-on

Mutrade is glad to offer a new add-on that allows our Hydro-Park two post parking lifts to stand freely on common concrete slab, asphalt ground or any other flat floor that is sufficient for loading pressure, and do not require extra foundation construction work or any anchor bolt embedded. It's available for all Hydro-Park two post parking lift models.

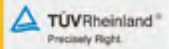
With our free standing add-on, you will get:

- The lifts installed on anywhere as long as there is available space.
- Foundation construction cost saved.
- Labor cost for anchor bolt embedded saved.



## Four Post Parking Lift Hydro-Park 2130

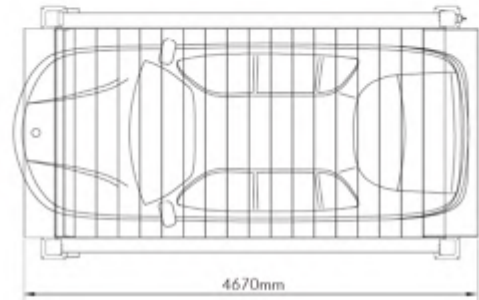
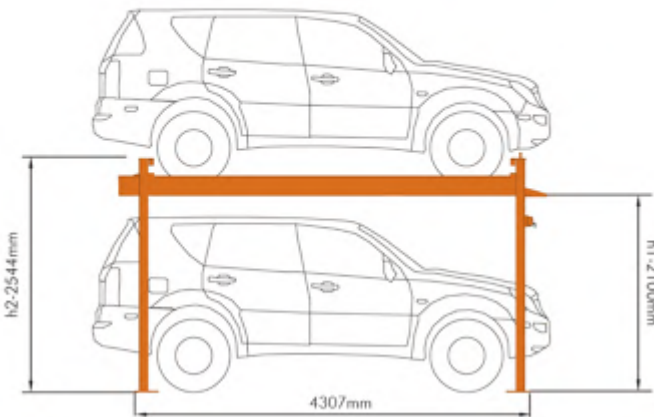
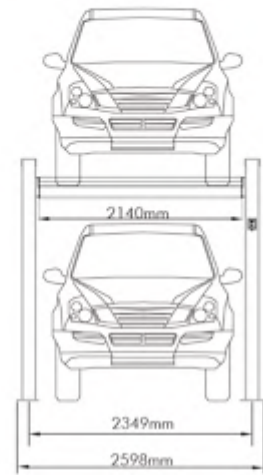
Certified by



- 3000kg capacity makes it possible for all SUVs
- Commercial grade design
- 2150mm usable platform width makes it much easier for parking and retrieve
- Galvanized platform guarantees safety and long lifetime
- Anti-slip corrugated deck protects both vehicle and driver from possible slip and damage but still high-heel shoe friendly
- Hydraulic cylinder and chain drive system for smooth operation
- The pole with piston is chroming to anti-corrode to ensure its long using life
- Individual hydraulic power pack and control panel, both covered in the back of platform for security and rainproof

- Self-standing and self-support structure
- Electric key switch for security and safety
- A new “LOCK DOWN” button for platform sitting on locking tab to protect cylinder
- Automatic shut-off once operator releases the key switch
- Dynamic mechanical locks as “all the way” anti-falling device hold the platform in place
- Platform can be stopped at different heights to fit for various vehicles and ceiling heights
- Hydraulic overloading protection

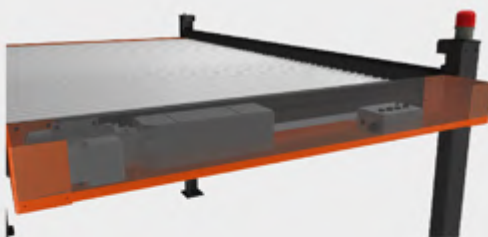
Lifting capacity	3000kg / 6600lbs
Lifting height	2100mm / 83 inches
Usable platform width	2140mm / 84 inches
Power Unit	2.2Kw hydraulic pump
Available voltage of power supply	100V-450V, 1 or 3 Phase, 50/60Hz
Operation mode	Key switch
Operation voltage	24V
Safety lock	Dynamic anti-falling lock
Lock release	Electric auto release
Rising/descending speed	<40s
Finishing	Powder coating



Automatic shut-off key switch control with LOCK DOWN button



Hydraulic cylinder and chain drive system for smooth operation



Protective cover of power pack and control box for security and rain-proof



Mechanical anti-falling lock device to protect machine all the way



## Four Post Parking Lift Hydro-Park 2236

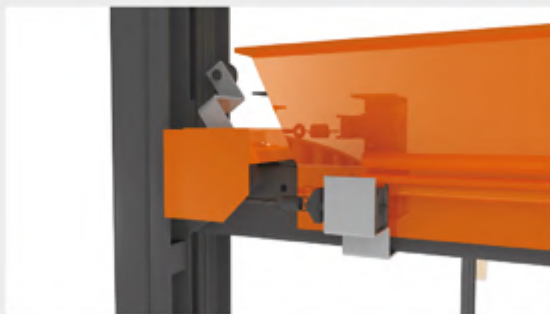
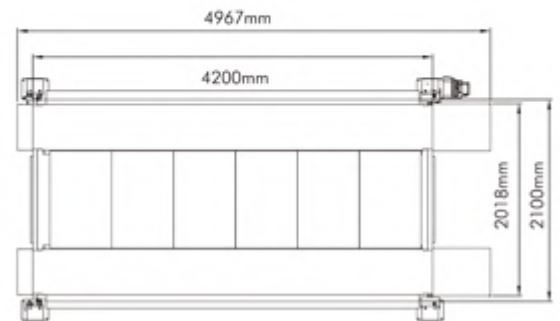
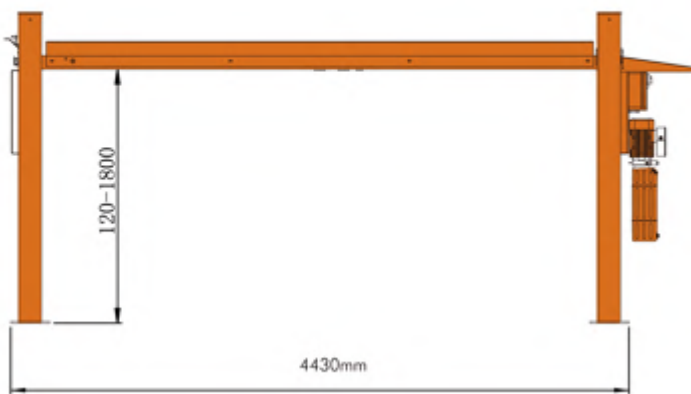
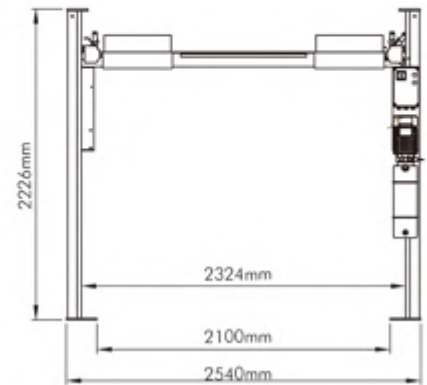


- 3600kg capacity makes it possible for heavy duty vehicles.
- 2100mm usable platform width makes it much easier for parking and retrieve.
- Unique mechanical detection will stop platform at once in case steel rope is loosen or cut off.
- Anti-slip diamond plates as drive way
- Lateral protection plates at two sides of platform will prevent vehicles going out.
- Electric key switch control for security and safety
- Automatic shut-off once operator releases the key switch
- LOCK DOWN button makes platform sit on

locking tabs to increase safety and rest the cylinder for longer lifetime.

- Hydraulic cylinder and steel rope drive system for smooth operation
- The pole with piston is chroming to anti-corrode to ensure its long using life
- Self-standing and self-support structure
- Dynamic mechanical locks as anti-falling device hold the platform in place
- Platform can be stopped at different heights to fit for various vehicles and ceiling heights
- Hydraulic overloading protection

Lifting capacity	3600kg / 8000lbs
Lifting height	1800mm / 71 inches
Usable platform width	2100mm / 83 inches
Power Unit	2.2Kw hydraulic pump
Available voltage of power supply	100V-450V, 1 or 3 Phase, 50/60Hz
Operation mode	Key switch
Operation voltage	24V
Safety lock	Dynamic anti-falling lock
Lock release	Electric auto release
Rising/descending speed	<55s
Finishing	Powder coating



Electrical automatic locking system



Fashion car stopper



Unique mechanical steel rope detection mechanism



Wider platform space makes parking more convenient



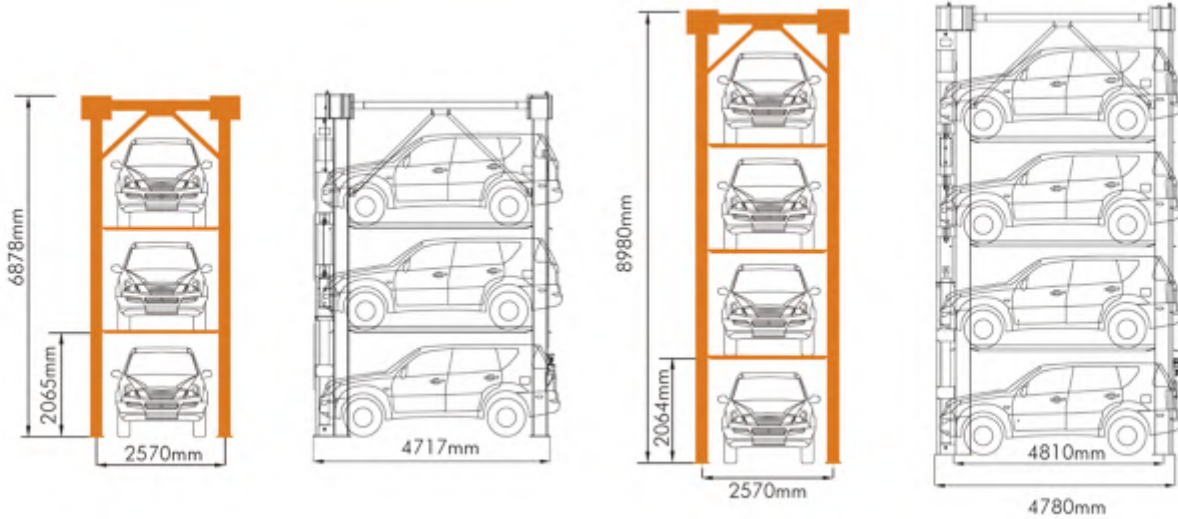
## Four Post Stacker Parking Lift Hydro-Park 3130/3230



- 3000kg capacity for both SUV and sedan
- Commercial grade design, suitable for both car parking and storage
- Four levels maximum
- One complete steel plate design for platform
- Single hydraulic cylinder with steel ropes drive
- Central hydraulic power pack and individual control panel
- Self-standing and self-support structure
- Middle post sharing feature saves cost and space

- Electric key switch for security and safety
- Automatic shut-off once operator releases the key switch
- Mechanical lock on cylinder as anti-falling safety device
- Hydraulic overload protection

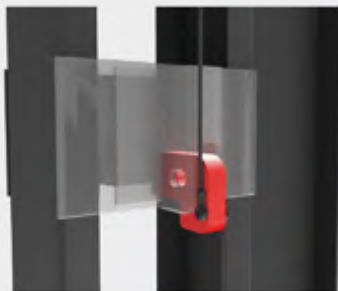
Available vehicle parking	3 cars / 4cars
Lifting speed	<90s/<150s
Rated capacity	3000kg / 6600lbs
Drive-through width	2050mm / 81 inches
Available vehicle height	2000mm / 79 inches
Operation mode	Key switch
Lock release	Manual with handle
Drive mode	Hydraulic cylinder + steel ropes
Pump power	7.5Kw
Finishing	Powder coating
Control voltage	24V
Power supply	208 – 450V, 3 phase, 50/60Hz



The intermediate post can be shared to save cost and land space with whole structure stronger



Rated capacity 3000kg per car could accommodate for most types of vehicles



Mechanical anti-falling locks are adopted as safety protection



Key switch with manual lock release handle for easy operation



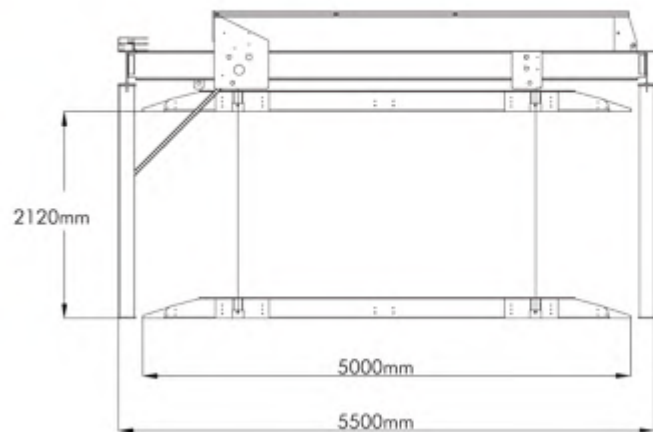
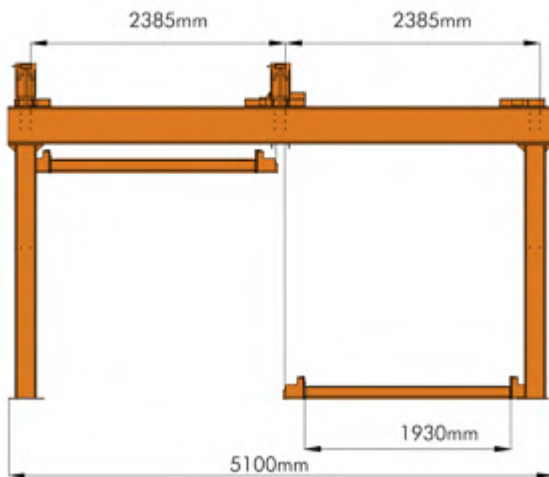


## No Post Valet Parking System Hydro-Park 4127



- 2700kg capacity allows most types of vehicles.
- Absence of steel support legs or columns decreases opportunity for damage to vehicle doors
- Zero obstructions between vehicles when platforms are up
- No load on open slab floor, maintaining integrity of supporting structure
- Tripping hazards eliminated due to lower side rail/curb profile and lack of center posts
- Elimination of platform edges reduces danger of cut shoes or injury to feet
- Galvanized platform with wave plate for better parking
- No greasy components, switches or controls near parking process ensures safety of valets
- System is customizable to accommodate vehicle length, width, height and weight
- Dramatically increased speed of use and quieter operation
- Allows elevated vehicles to be parked over drive aisle
- System can be installed on a sloped slab, increasing usability of existing space
- Lower energy costs for economical operation
- Enhanced safety sensors include sound and light warning devices
- Photo-Electric detection devices indicate parking area encroachment, if a vehicle is blocking the lowering of a platform or if a vehicle is over-height
- Can be fully integrated into structure
- Dramatically increased profitability with addition of parking spots
- Can greatly reduce base square foot requirements to save in construction costs

Lifting capacity	2700kg / 6000lbs
Lifting height	2120mm / 71 inches
Usable platform width	2100mm / 83 inches
Hydraulic pump	5.5Kw
Available voltage of power supply	200V-450V, 3 Phase, 50/60Hz
Operation mode	Key switch
Operation voltage	24V
Safety lock	Anti-falling lock & double wire ropes system
Lock release	Electric auto release
Rising/descending speed	<55s
Finishing	Powder coating



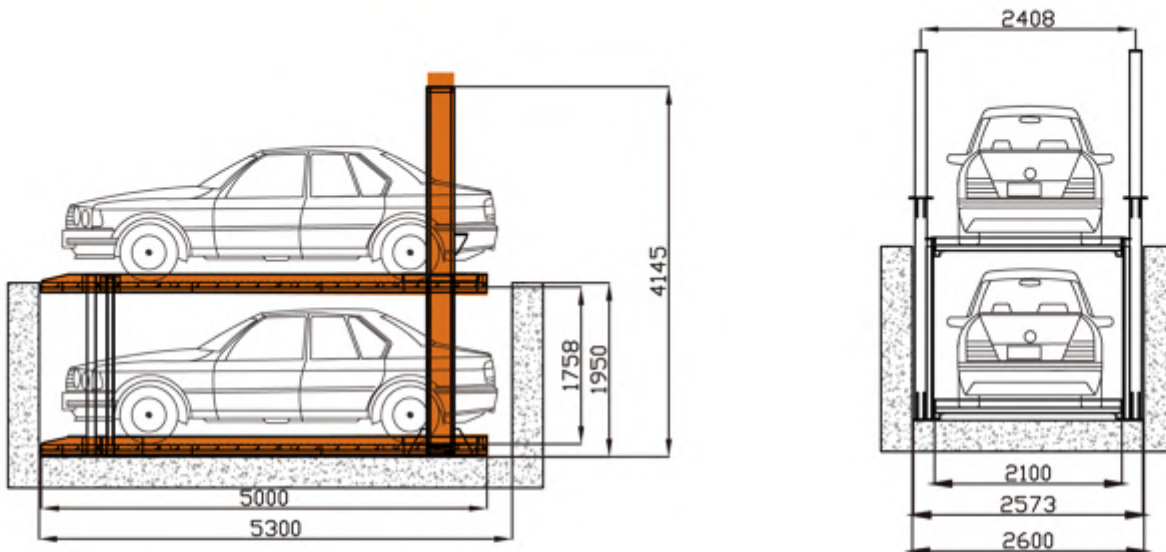


## Pit Two Post Parking Lift Hydro-park 7125



- New commercial grade design released to the market
- Galvanized platform with wave plate for better parking
- Dual master & slave hydraulic lifting cylinders direct drive
- Individual hydraulic power pack and control panel
- Pit and back wall needed for structure supporting
- 2500kg capacity is available for both SUV and sedan
- Middle post sharing feature save cost and space
- Electric key switch for security and safety
- Automatic shut-off once operator releases the key switch
- Balance chain synchronization
- Single & double stacker for your choice
- Hydraulic overload protection

Lifting capacity	2500kg / 5500lbs
Lifting height	1950mm / 77 inches
Usable platform width	2100mm / 83 inches
Power Unit	3Kw hydraulic pump
Available voltage of power supply	100V-450V, 1 or 3 Phase, 50/60Hz
Operation mode	Key switch
Operation voltage	24V
Lock release	Electric auto release
Rising/descending speed	<55s
Finishing	Powder coating



Middle post can be shared to save land space and cost



Convenient parking without moving the other car

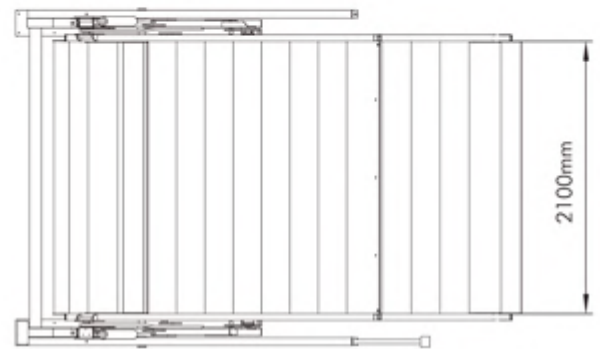
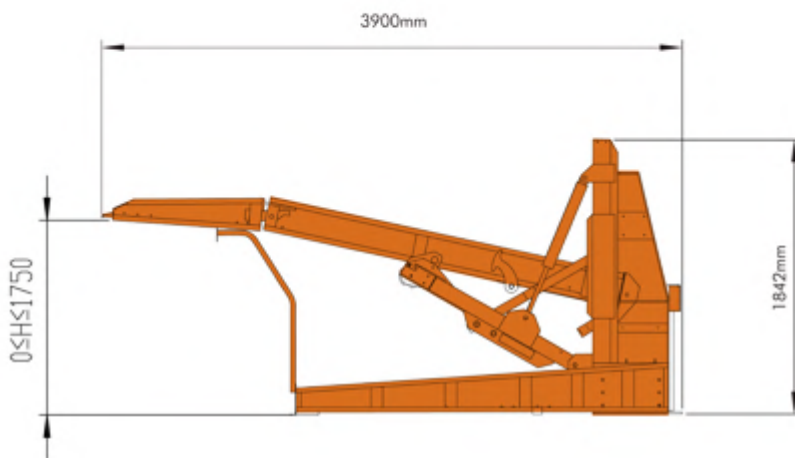
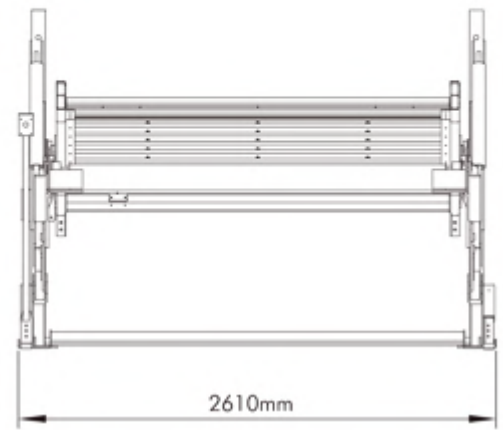


## Two Post Tilting Parking Lift TPTP-2



- Designed for low ceiling height
- 2000kg capacity, suitable for sedan only
- Galvanized platform with wave plate for better parking
- 10 degree tilting platform
- Dual hydraulic lifting cylinders direct drive
- Individual hydraulic power pack and panel
- Self-standing and self-support structure
- Electric key switch for security and safety
- Automatic shut-off once operator release the key switch
- Both electrical and manual lock release for your choice
- Maximum lifting height is adjustable to fit for different ceiling height
- Mechanical anti-falling lock on top position
- Hydraulic overload protection

Vehicle size	5000mmX1850mmX1550mm
Vehicle weight	≤2000Kg
Lifting height	1600mm
Lock mode	Position lock
Drive mode	Hydraulic
Surface treatment	Powder coating
Control power	24V
Lifting time	24S
Lowering time	24S
Voltage	380V/220V
Motor power	2.2kw



Tilting platform makes full use of clear height



Independent structure



## Bi-Directional Parking System BDP Series



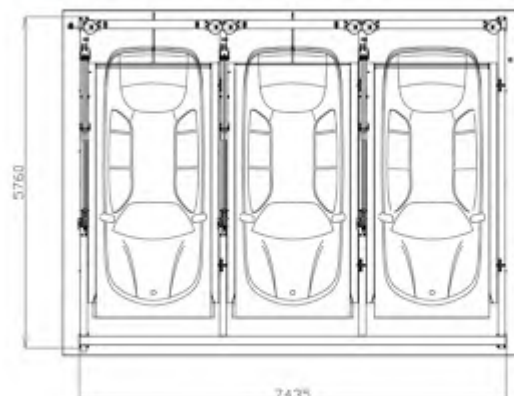
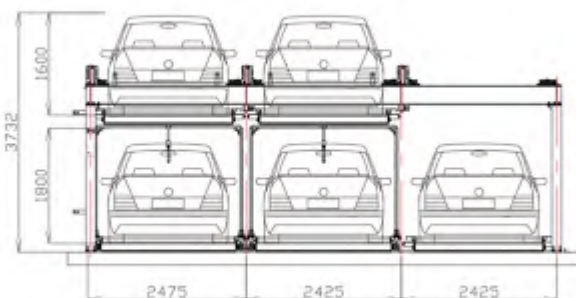
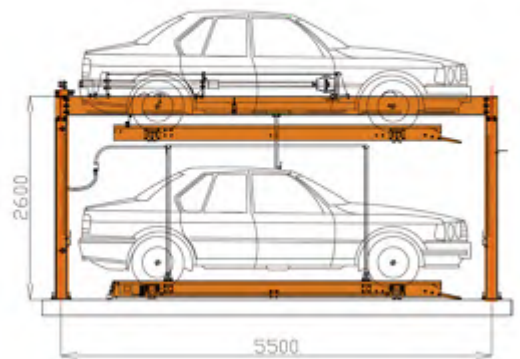
BDP series are a kind of semi-automatic parking system, developed by Mutrade. BDP series mobilize the existing space by using it the best possible way. It can offer 2 to 15 levels in limited land, with 5 to 30 cars in each system. The parking space selected is moved to the desired position by means of an automatic control system, and the parking spaces can be shifted vertically or horizontally. Entrance level platforms move horizontally and upper level platforms move vertically, with always one platform less at each level except top level. By swiping the card or input the code, the system automatically moves the platforms in the desired position. To collect a car parked on the upper level, the platforms below will first move to one side to provide an empty space into which the required platform is lowered. A driving lane in front of the full width of the system is required to access all parking spaces.



## BDP - 2



Levels	2
Available Vehicle Size	5000mm x 1850mm x 1550/2050mm (LxWxH) *can be customized to fit for SUV
Drive mode	Hydraulic Cylinder + Wire rope
Lifting capacity	2000kg / 2500kg
Hydraulic pump power	4Kw
Lifting speed	8-12m/min
Sliding speed	7.5m/min
Control	Omron PLC system
Operation	Button, IC cards, or manual, with LED display
Finishing	Powder coating



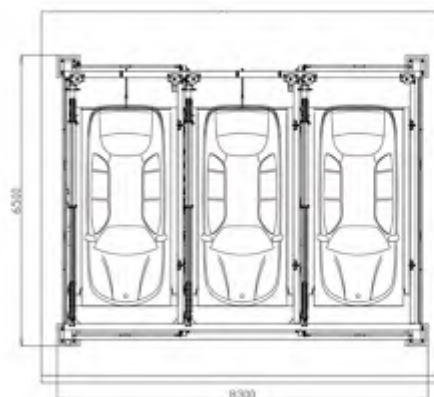
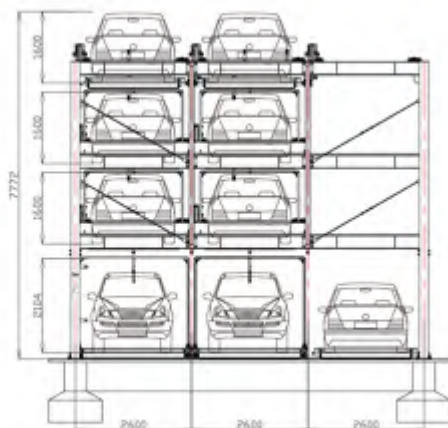
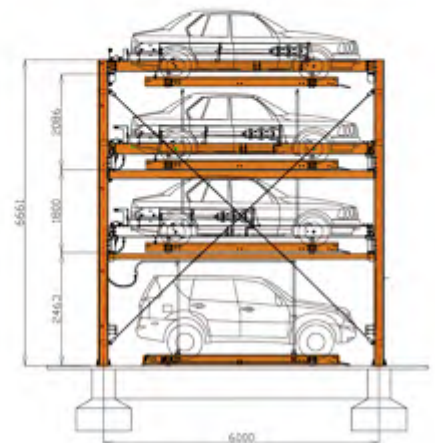




## BDP - 4



Levels	4
Available Vehicle Size	5000mm x 1850mm x 1550/1750mm (LxWxH) *can be customized to fit for SUV
Drive mode	Hydraulic Cylinder + Wire rope
Lifting capacity	2000kg / 2500kg
Hydraulic pump power	7.5Kw
Lifting speed	15-18m/min
Sliding speed	7.5m/min
Control	Omron PLC system
Operation	Button, IC cards, or manual, with LED display
Finishing	Powder coating

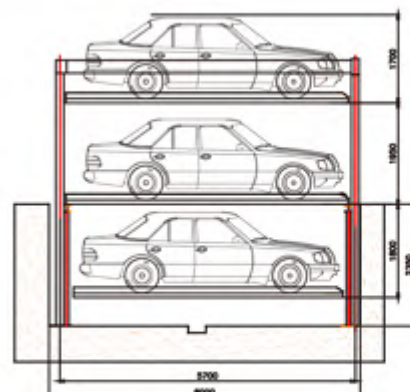
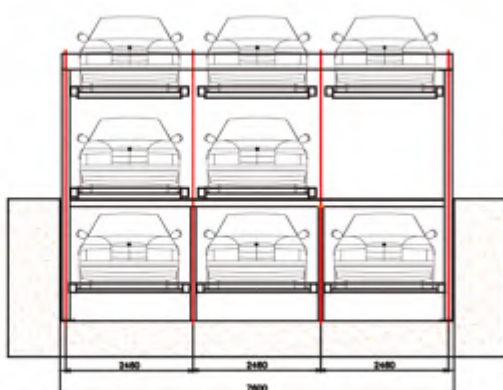




## System BDP - 1+2

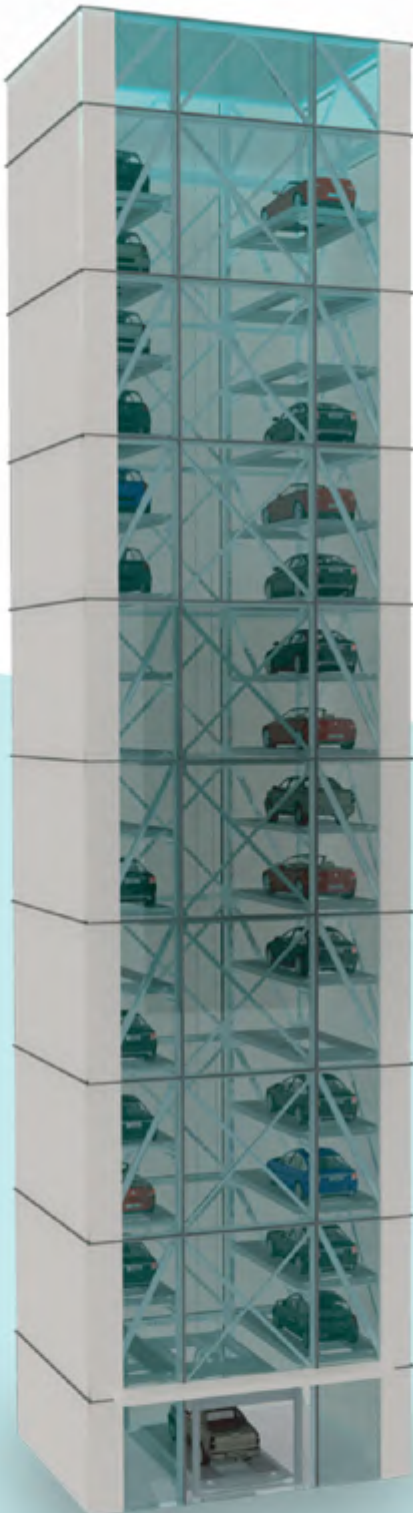


Levels	-1+2 (1 level underground, 2 levels above ground)
Available Vehicle Size	5000mm x 1850mm x 1550/2050mm (LxWxH) *can be customized to fit for SUV
Drive mode	Hydraulic Cylinder + Wire rope
Lifting capacity	2000kg / 2500kg
Hydraulic pump power	4Kw
Lifting speed	8-12m/min
Sliding speed	7.5m/min
Control	Omron PLC system
Operation	Button, IC cards, or manual, with LED display
Finishing	Powder coating



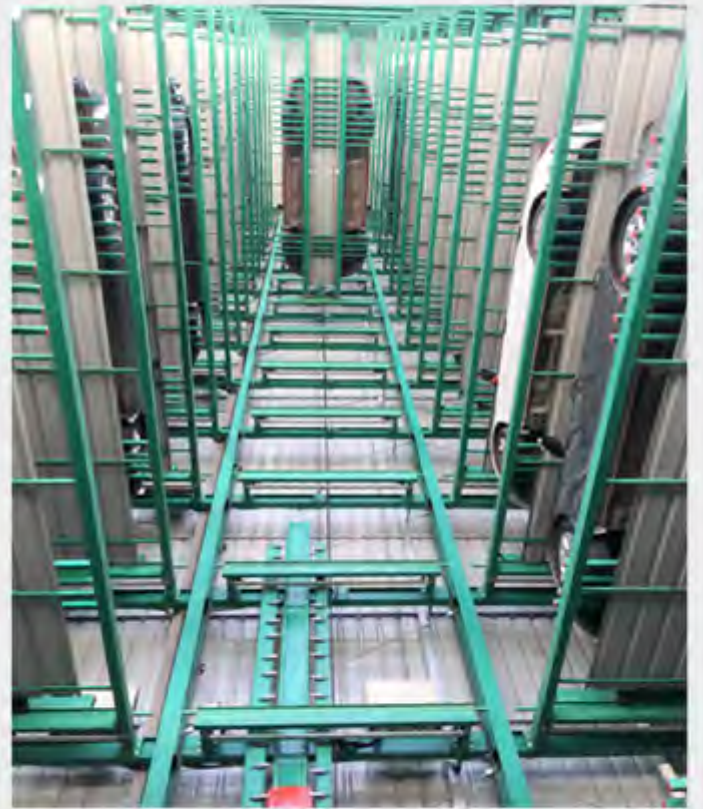
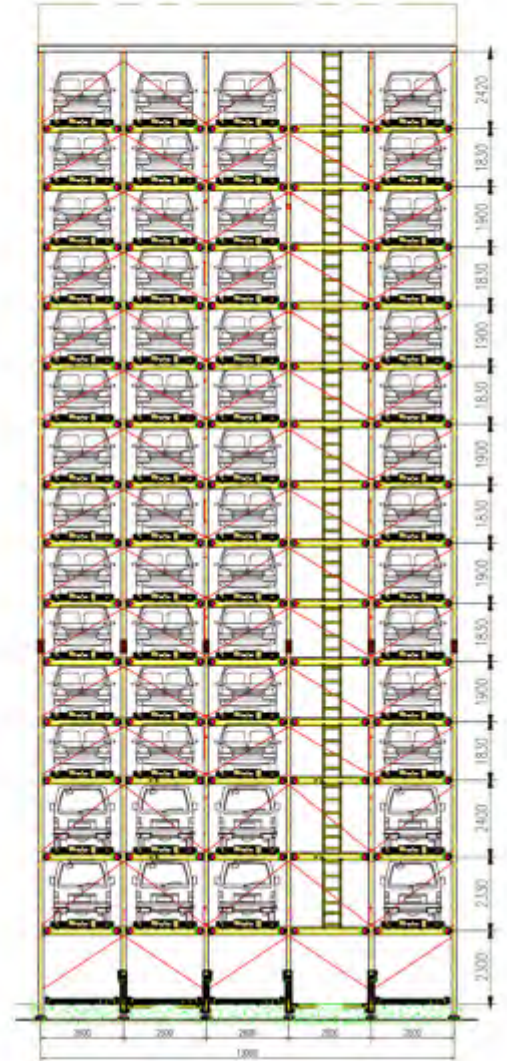
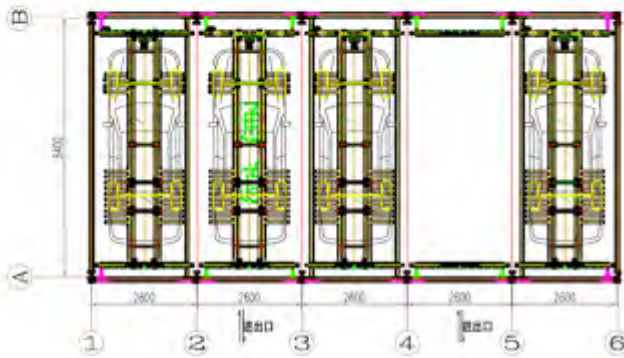


## **Automatic Tower Parking System ATP series**



- New developed high levels commercial parking design
- 35 levels above ground maximum
- Comb pallet for better vehicle tires protection
- Both hydraulic cylinder and traction drive available for your choice
- Fast elevating speed
- Patented hydraulic variable frequency speed control technology to smoothly approaching ground
- Central hydraulic power pack and control panel, with PLC control system inside
- Code, IC Card and manual operation available
- 2000kg capacity as standard, and 2500kg capacity available
- Hydraulic overload protection

Levels of System	35 levels max
Car Size(L×W×H)	≤5300mm×1900mm×1550mm
Car Weight	2200kg
Mode of Operation	Code / Card
Speed of Operation	Lift 60-120m/min
	Slide 7.5m/min
	Turning 4rpm
Motor power	Lift 30kw
	Slide 0.2kw
	Turning 1.5kw



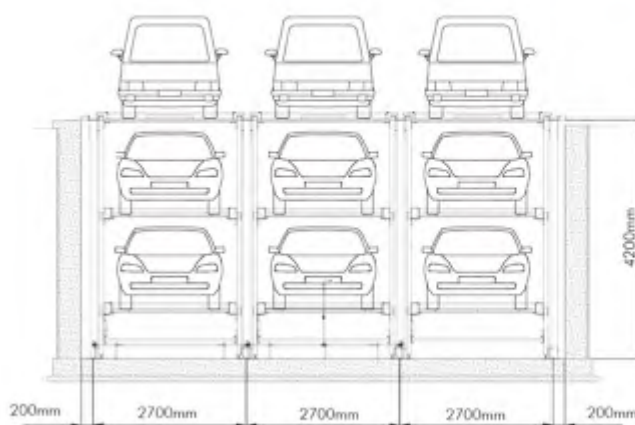
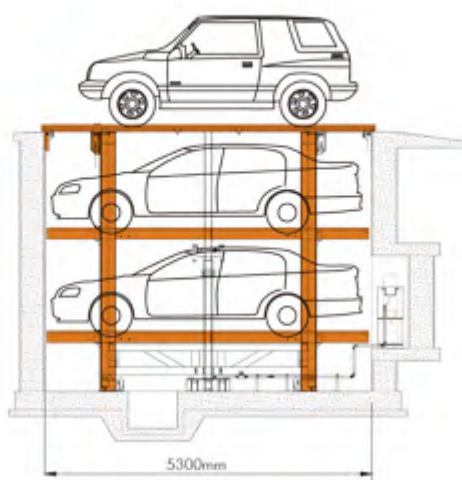


## **Pit Four Post Parking Lift PFPP series**



- Both commercial use and home use suitable
- Two levels underground maximum
- Galvanized platform with wave plate for better parking
- Both hydraulic drive and motor drive available
- Central hydraulic power pack and control panel, with PLC control system inside
- Code, IC Card and manual operation available
- 2000kg capacity for sedan only
- Middle post sharing feature save cost and space
- Anti-falling ladder protection
- Hydraulic overload protection

Parking vehicle	2 / 3
Motor power	2.2kw / 3.7kw
Lifting capacity	2000kg / space
Usable Vehicle Size (mm, LxWxH)	5000x1850x1550
Finishing	Powder coating
Lock release	Auto
Operation	Button / IC card / Manual
Power supply	380v, 3P, 50/60Hz





## Four Post Vertical Reciprocating Conveyor FP-VRC

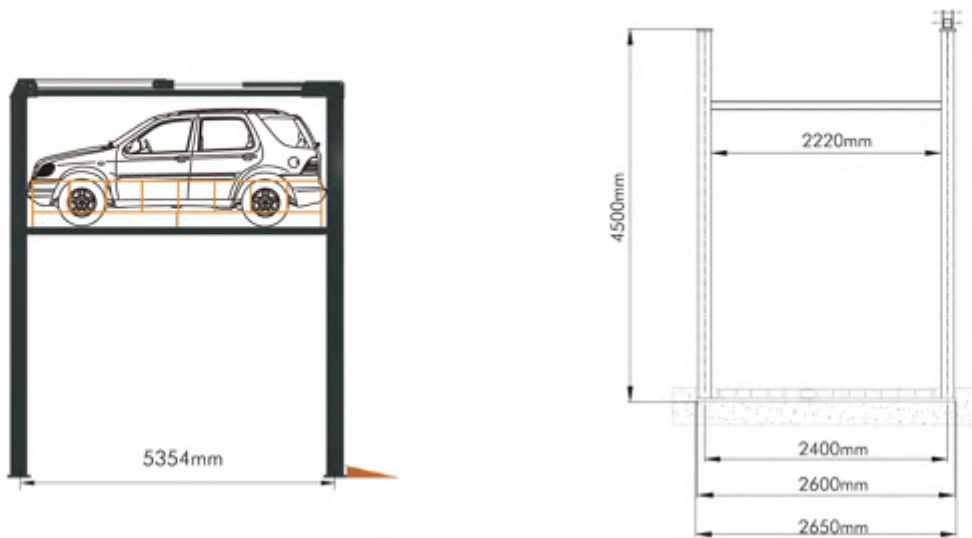


VRC (Vertical Reciprocating Conveyor) is a transportation conveyor moving car from one floor to another, it is a highly customized product, which could be customized according to customer's different requirements from lifting height, lifting capacity to platform size!

FP-VRC is a kind of car or goods lift, and industry use vertical table lift  
-Self-standing and self-support structure

- Hydraulic cylinder + steel chains drive system
- High precision and stable hydraulic drive system
- Automatic shut-dff once operator releases the button swith
- Double chain design for higher safety
- High density chains with longer service lift
- Remote control is optional
- Top quality diamond steel plate
- Hydraulic overloading protection available

Lifting capacity	2,000-5,000 kg
Lifting height	2,000-12,000mm
Platform length	2000mm-6000mm
Platform width	2000mm-5000mm
Platform material	Diamond steel sheet (standard) / 4mm Aluminum steel sheet (optional)
No. of level	according to your requirement
Drive mode	Hydraulic(cylinder with double steel chains)
Operation	button switch (standard) / remote controller (optional)
Power pack	4 kw hydraulic power pump
Lifting speed	4m/min
Safety devices	Mechanical anti-falling lock
Finishing	Paint spray
Color	according to your requirement







## Scissor Vertical Reciprocating Conveyor S-VRC



VRC (Vertical Reciprocating Conveyor) is a transportation conveyor moving car from one floor to another, it is a highly customized product, which could be customized according to customer's different requirements from lifting height, lifting capacity to platform size.

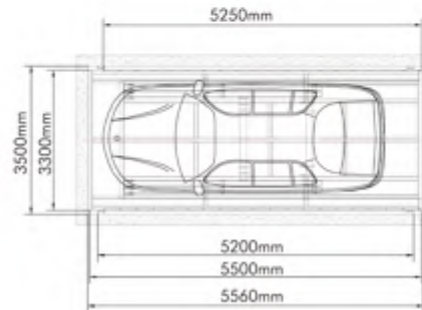
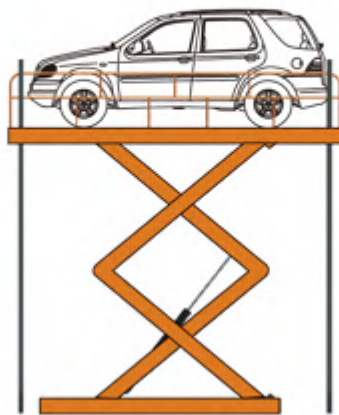
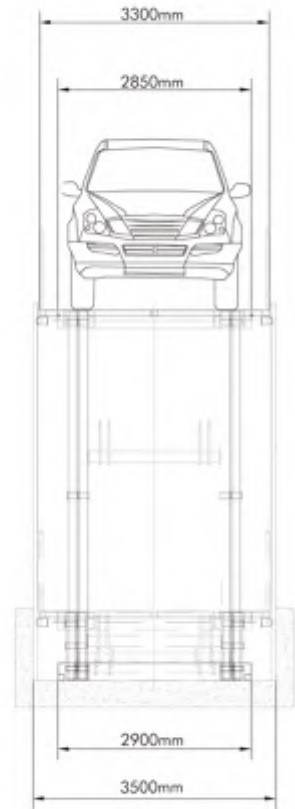
S-VRC is a kind of car or goods lift, and industry use vertical table lift

- A foundation pit is needed for S-VRC
- The ground will be flat after S-VRC descend to bottom position
- Hydraulic cylinder direct drive system

- Double cylinder design
- High precision and stable hydraulic drive system
- Automatic shut-off once operator releases the button switch
- Small space occupation
- Pre-assembled structure makes easier installation
- Remote control is optional
- Double or triple levels of platforms are available to have more parking
- Top quality diamond steel plate
- Hydraulic overloading protection available

■ MUTRADE INDUSTRIAL CORP.

Lifting capacity	2,000-10,000 kg
Lifting height	2,000-15,000mm
Platform length	2000mm-6000mm
Platform width	2000mm-5000mm
Platform material	Diamond steel sheet (standard) / 4mm Aluminum steel sheet (optional)
No. of level	according to your requirement
Drive mode	Hydraulic(cylinder with double steel chains)
Operation	button switch (standard) / remote controller (optional)
Power pack	4 kw hydraulic power pump
Lifting speed	4m/min
Safety devices	Mechanical anti-falling lock
Finishing	Paint spray
Color	according to your requirement

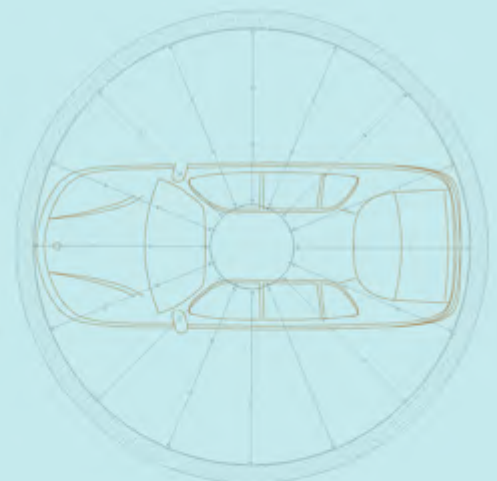
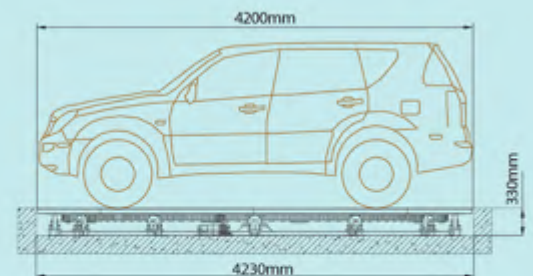




## Car Turn Table CTT



- We customize car turntable for you under your specification.
- Diameter of the table (form 1.2 to 35 meters)
- Turning speed and angle (0.2-2 rpm)
- Capacity form 1 ton to 20 tons
- Variety surface option



Drive mode	Electric motor
Diameter	1.2-35m *can be customized according to customers' requirements
Loading capacity	1-20ton *can be customized according to customers' requirements
Motor power	0.75kw *can be customized according to customers' requirements
Voltage	380v, 50hz, 3P *can be customized according to customers' requirements
Turning speed	0.2-2rpm
Turning angle	360 any direction
Min. height	180/320mm
Finishing	Paint spray
Color	Customized
Coverage of platform	Diamond plate / Aluminium alloy plate / Stainless steel plate / Acrylic plate *can be customized according to customers' requirements
Operation	Button/ remote control/PLC * can be customized according to customers' requirements
Metal processing	Laser cutting

## Europe



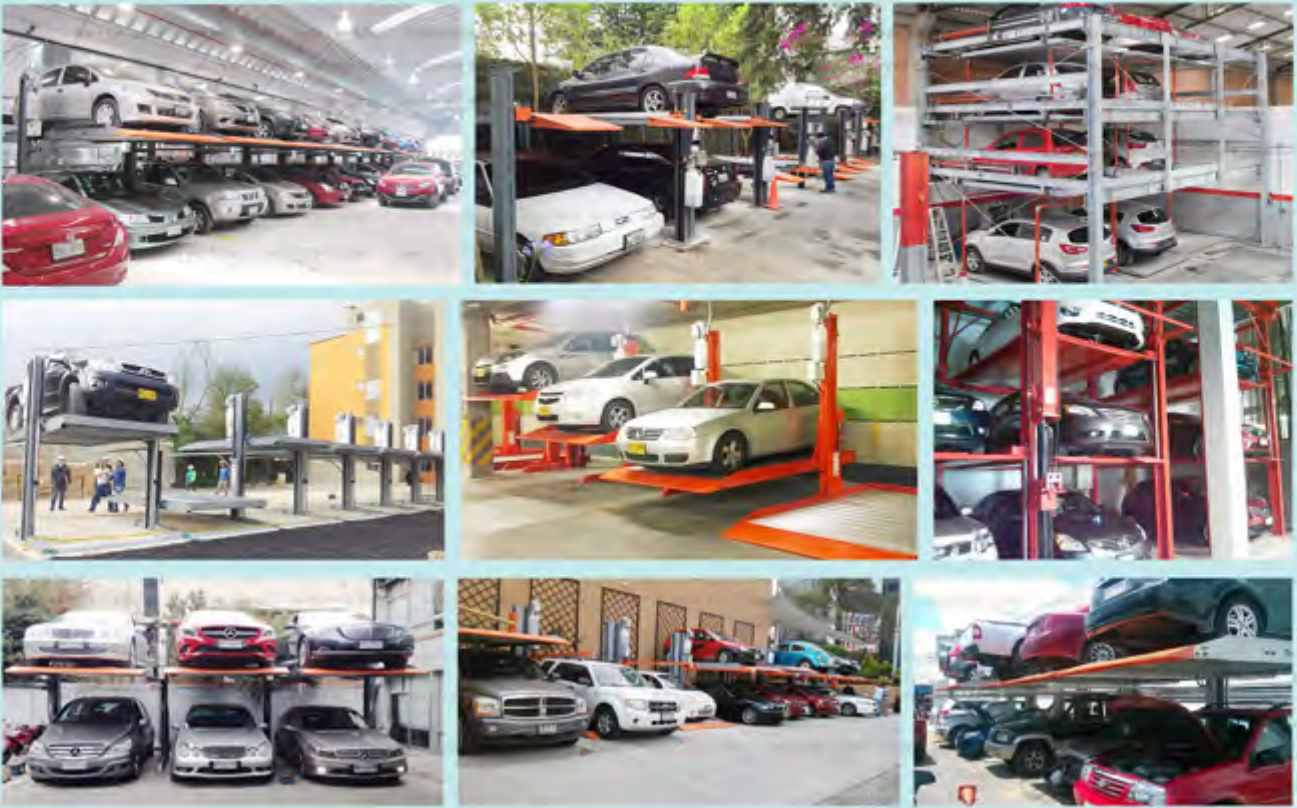
## North America



## Asia



## South America



## Oceania



## Africa

